



Reliable connection in life



Anaesthesia

100 - 100 MRI - 200 - 300



AMS 100

Ergonomic Modular design
 Back-bar for single Selectatec Vaporiser
 User-Selectable Ventilator Mounting
 User-Selectable Monitor Parameter
 Hypoxic Guard System
 Low maintenance cost
 Three large pivoting drawers
 Anaesthesia Gas Scavenging System
 O₂/N₂O dual tube flowmeter
 Illuminated flowmeter
 Air/N₂O change-over switch
 Suction system (optional)
 Parking station for reverse gas cylinders

Physical Specifications	Height	1500mm
	Depth	850mm
	Width	800mm
	Weight	110kg
Top Shelf (on the ventilator)	Width	340mm
	Depth	340mm
Drawer	Height	105mm
	Width	370mm
	Depth	370mm
Castors	Diameter	125mm
	Brakes	Located on front casters



AMS 100 MRI

- MRI compatible
- Ergonomic Modular design
- User selectable manual or automatic
- Back-bar for single Selectatec Vaporiser
- Hypoxic Guard System
- Low maintenance cost
- User-Selectable Monitor Parameter
- Low maintenance cost
- One large pivoting drawer
- Anaesthesia Gas Scavenging System
- Air/N₂O change-over switch
- Parking station for reverse gas cylinders

Physical Specifications	Height	1500mm
	Depth	850mm
	Width	800mm
	Weight	110kg
Top Shelf (on the ventilator)	Width	340mm
	Depth	340mm
Drawer	Height	105mm
	Width	370mm
	Depth	370mm
Castors	Diameter	125mm
	Brakes	Located on front casters



Monitors Optional

AMS 200

- Ergonomic Modular design
- Back-bar for two Selectatec Vaporisers
- User-Selectable Ventilator Mounting
- User-Selectable Monitor Parameter
- Hypoxic Guard System
- Quality efficiency, double-layer soda lime absorber
- Low maintenance cost
- Three large pivoting drawers
- Suction system (optional)
- Anaesthesia Gas Scavenging System
- O₂/N₂O dual tube flowmeter
- Air/N₂O change-over switch
- Parking station for reverse gas cylinders

Physical Specifications	Height	1500mm
	Depth	850mm
	Width	800mm
	Weight	110kg
Top Shelf (on the ventilator)	Width	340mm
	Depth	340mm
Drawer	Height	105mm
	Width	370mm
	Depth	370mm
Castors	Diameter	125mm
	Brakes	Located on front casters



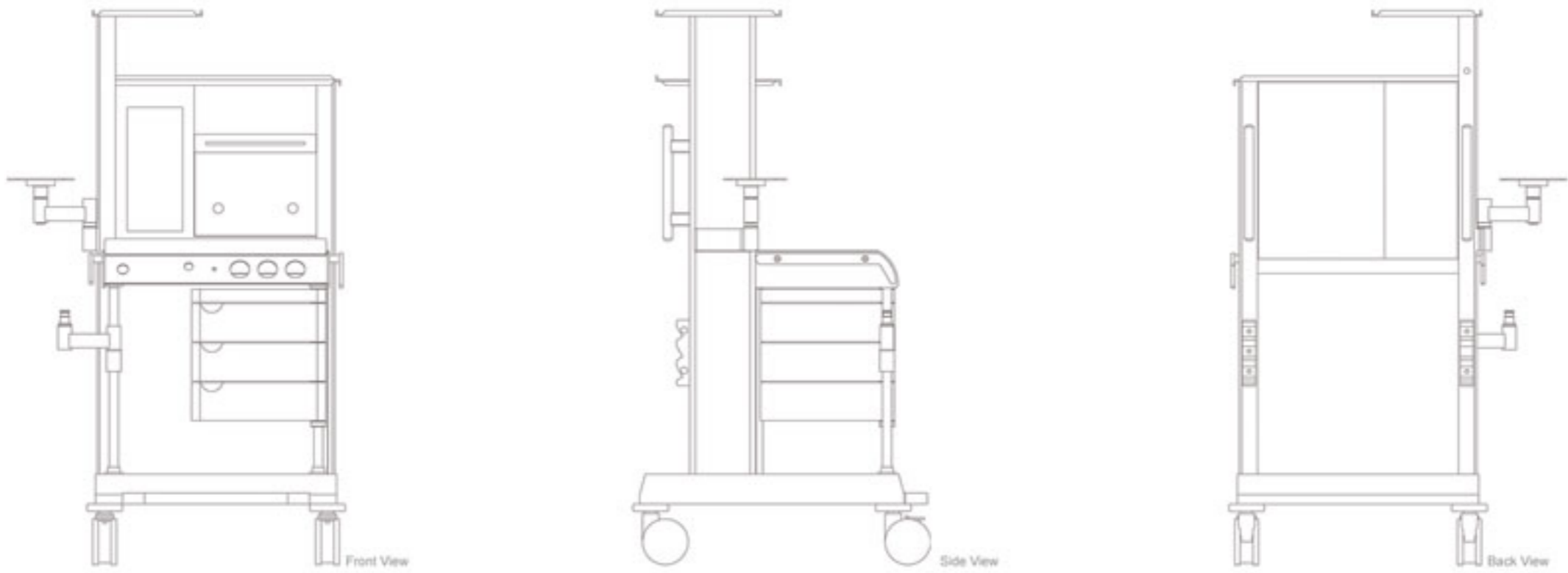
Monitors Optional

AMS 300

Ergonomic Modular design
 Back-bar for three Selectatec Vaporisers
 User-Selectable Ventilator Mounting
 User-Selectable Monitor Parameter
 Hypoxic Guard System
 Low maintenance cost
 Three large pivoting drawers
 O₂/N₂O dual tube flowmeter
 Air/N₂O change-over switch
 Suction system (optional)
 Parking station for reverse gas cylinders

Physical Specifications	Height	1500mm
	Depth	850mm
	Width	800mm
	Weight	110kg
Top Shelf (on the ventilator)	Width	340mm
	Depth	340mm
Drawer	Height	105mm
	Width	370mm
	Depth	370mm
Castors	Diameter	125mm
	Brakes	Located on front casters

Specifications



Standart Fittings

	AMS100	AMS100MRI	AMS200	AMS300
Audible and Visible O ₂ failure warning device (auto-reset)	✓	✓	✓	✓
Emergency O ₂ flush	✓	✓	✓	✓
Swivel common gas outlet	✓	✓	✓	✓
1 x O ₂ auxiliary outlet	✓	✓	✓	✓
Single flowmeter tubes	✓	✓	✓	✓
Breathing circuit hooks (2)	✓	✓	✓	✓
Sturdy antistatic swivel castors	✓	✓	✓	✓
Brake on front castors	✓	✓	✓	✓
Pipeline pressure gauges on the front	✓	✓	✓	✓
4 electrical sockets	✓	✓	✓	✓

Environmental Specifications

Operation	Temperature	50° to 104° F (10° to 40° C)
	Humidity	0 to %95 relative humidity (non condensing)
Storage	Temperature	-4° to 158° F (-20° to 70° C)
	Humidity	0 to %95 relative humidity (non condensing)

Pneumatics Specifications

Usable Connections	22mm OD or 15mm ID		
Gas Supply	Pipeline Input	2.7 to 8 bar supply required	
	Connections	NIST connections necessary for O ₂ , N ₂ and Air pipeline filter and check valve	
	Cylinder Input	NIST or pin index yokes (on request) input filter and check valve	
Shutoff Valves	Minimum O ₂ Pressure	Gas flow stops at 1,5 bar	
Pneumatic Auxiliary Power Outlets	Location	Two O ₂ outlets provided on back of machine	
	Pressure	Varies with source and flow rate	
Low O ₂ Alarm	Range	1,5 to 2,0 bar	
	Duration	Minimum 7 seconds	
O ₂ Flush Button	Flow Range	40 to 75 l/min	
Flowmeter	O ₂ Ranges	one tube	two tubes
		0,2 - 15 lt/min	0,1 - 1 lt/min 1 - 10 lt/min
	N ₂ O Ranges	0,2 - 12 lt/min	0,1 - 1 lt/min 1 - 10 lt/min
	Air Ranges	0,2 - 15 lt/min	
Hypoxic Guard System	Type		
	Range		

* other flow ranges are optionally available

Electrical Specifications

Voltage	220-240 VAC (optional 110-120 VAC)
Current	Max 2A (each sockets)
Frequency	50-60 Hz
Type	B
Class	I

Regulatory Compliance

IEC 601-1-2:2001
IEC 601-2-19:1990+A1:1996
IEC 601 - 1: 1988 + A1:1991 + A2:1995

Technical specifications are subject to change by AMS without prior notice.

AMS Tibbi Cihaz Imalat Ith. Ihr. Ltd

Kazim Karabekir Cad. T: +90 312 384 0520
95/75 06060 Iskitler F: +90 312 342 3307
ANKARA TURKEY ams@ams.com.tr

www.ams.com.tr

